



PROJECT		REF		REV	ITEM CODE	
LOCATION		DATE			PAGE	

SANITARY WARE SPECIFICATION SHEET

Item Descriptions	GROHE (Germany) "Eurocube" Single-lever chrome plated free stand bath & shower mixer with separate concealed body	Illustration/ Drawing
Dimensions	L298 x W170 x H990 mm	
Model	23672001 (Bath & shower mixer) 29086000 (Concealed body)	
Finish	Chrome Plated	
Country of origin	Germany	
Manufacturer	GROHE Limited	
Supplier	Acme Sanitary Ware Co. Ltd Mr. Eric Wong/ Mr. Don Yuen	
Contact Tel/Fax E-mail Website	(852) 2388-7171 / (852) 2710-8012 acme@acmesanitary.com.hk www.acmesanitary.com.hk	

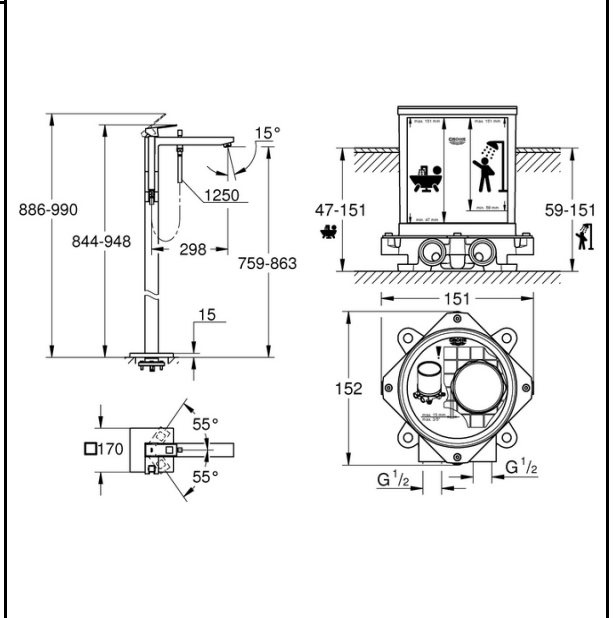
"Eurocube"
Single-lever bath mixer 1/2" floor mounted

- set for final installation for 45 984 001 / 29 038 001 / 29 086 000
- without roughing-in-set
- **GROHE SilkMove** 35 mm ceramic cartridge
- with temperature limiter
- **GROHE StarLight** chrome finish
- automatic diverter: bath/shower
- spout with mousseur
- Euphoria Cube+ Stick hand shower 6.6 l/min (26 467)
- Silverflex shower hose 1250 mm (28 362)
- projection 298 mm
- integrated non-return valve in the shower outlet 1/2"
- protected against backflow
- with shower holder

Rough-in set 1/2"

- for floor-mounted tub spouts and mixers
- without finishing trim set
- installation plate with 360° horizontal and 3° vertical adjustment
- installation depth 47-151 mm
- depth compensation 104 mm
- two 1/2" female connections (hot/cold supplies)
- flushing plug

23672001 23672DC1



Note:

* All information of the above is for the reference only. No prior notice is made if any changes.



PROJECT		REF		REV	ITEM CODE	
LOCATION		DATE			PAGE	

SANITARY WARE SPECIFICATION SHEET

26467000

"Euphoria Cube+ Stick"

Hand shower 1 spray

- Normal spray
- material: metal
- **GROHE EcoJoy** 6.6 l/min flow limiter
- **GROHE DreamSpray** perfect spray pattern
- **GROHE StarLight** chrome finish
- **SpeedClean** anti-limescale system
- **Inner WaterGuide** for a longer life
- Universal Mounting System. Fits all standard shower hoses



GROHE EcoJoy with water-saving function for reduced consumption

GROHE EcoJoy reduces water consumption by up to 50% without compromising on performance. Whenever you turn on your tap, you will enjoy a full jet of water while saving money nonetheless.



GROHE DreamSpray for luxurious showering

The GROHE DreamSpray technology turns your daily shower into a luxuriously relaxing experience. The advanced engineering of the shower head ensures a balanced flow of water from all nozzles, whatever spray pattern you choose.



SpeedClean: easy cleaning thanks to silicone nozzle

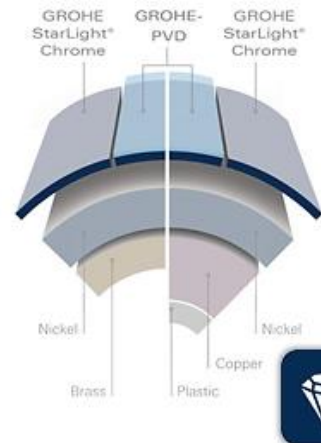
Indeed, the name says it all: with the SpeedClean technology, you'll have limescale removed from the spout in the blink of an eye thanks to a nozzle made of silicone. A quick wipe with your fingers is all it takes to remove any limescale deposits, saving you a lot of time and effort!



Coating protected by Inner WaterGuide

A strong insulation of the water guide inside the shower prevents its surface from heating up, so it will never be too hot for you to touch. At the same time, this serves to protect the finish of your GROHE shower, further enhancing its great durability.

GROHE StarLight®



GROHE surface hardness



GROHE scratch resistance



Note: <https://www.youtube.com/watch?v=JGu8g32davk&feature=youtu.be>

* All information of the above is for the reference only. No prior notice is made if any changes.



PROJECT		REF		REV	ITEM CODE	
LOCATION		DATE			PAGE	

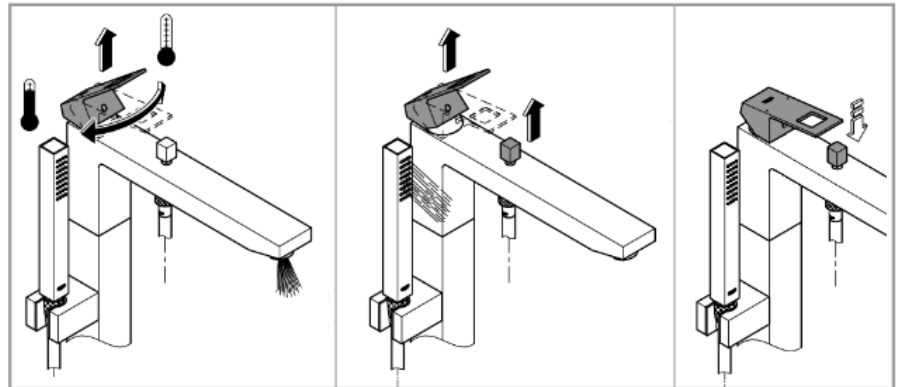
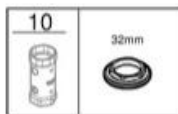
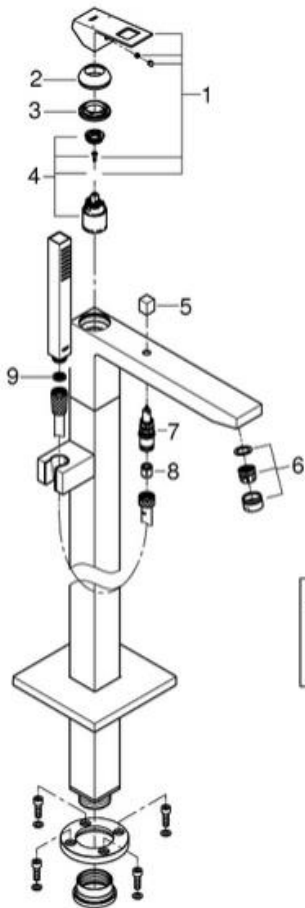
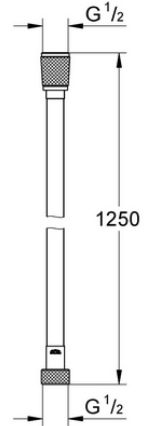
SANITARY WARE SPECIFICATION SHEET

28362000

"Silverflex"

Shower hose Twistfree 1250

- 1250 mm
- smooth surface for easy cleaning
- tensile strength 500 N
- pressure resistance up to 5 bar
- heat resistance 70°C
- **AntiFold** bendproof
- **Universal connection** G 1/2" x 1/2"
- rotation cone for **Twistfree**-function
- **GROHE StarLight** chrome finish
- **blister pack**



Pos.-nr.	Prod. Description	Order-nr.
1	Lever	46782000
2	Shield	46492000
3	Screw coupling	46460000
4	Cartridge	46374000
5	Diverter knob	48128000
6	Sistra	13907000
7	Diverter	65655000
8	Non-return valve	08565000
9	Dirt strainer	0700200M
10	Socket spanner	19332000*

* Optional accessories

GROHE EUROCUBE

MAKE A CLEAR STATEMENT

Straightforward, attractive and always focused on the essential. Cosmopolitan life in the teeming city becomes a bit more manageable if you are surrounded by straight lines. The overarching concept of GROHE Eurocube evokes the dynamic lifestyle of busy people and celebrates the dramatic beauty of the cube. Enjoy a bit of clarity.